

THE NUGGET



The Newsletter of the Mother Lode DX/Contest Club

July 2022

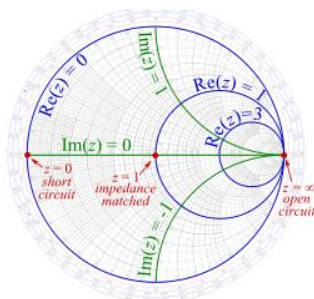
Volume 27 Number 7

From the President – NR6Q

Greetings from the Central Valley,

First, let me start with a piece of sad news, Ken Anderson K6TA passed away about 3 weeks ago. Ken was one of the founding members of MLDXCC. Ken will be missed.

Now onto some lighter news. We had another great “in person” meeting last Saturday. I think we had 15 members show up for lunch. Rhino, K6RNO did a presentation on some of the new small VNAs now available on the market today. These sub \$500 devices are doing things we would have paid thousands for just 5 years ago. We are always looking for folks that would like to present on topics that are important to the group. Next, we will have to do something on reading a Smith Chart.



Over the next few weeks, we will be going over the membership roster, to try and clean it up. Sue Allred reported we have some 150 members that show up on the roster. With 150 members we should be seeing more of you at the monthly meetings. If there is anything we can do at the leadership level that will help get better group participation, please let us know. While we know that some on the roster are no longer active for one reason or another, it is important that we know who still wants to participate in our events. As we get closer to our “focus” contests we need a good group of folks, that are interested in keeping MLDXCC on the top of the medium sized club score category. In fact, if we really polish our skills, we can challenge the big boys on overall contest scores. We have done it in the past we can do it again!

I know we are getting into the midst of summer now and the temperatures are getting warmer. What better way to spend a Saturday morning that joining us for a club meeting in an air-conditioned facility and eating a good meal??

We look forward to seeing more of you at club meetings!

Next Meeting

Date: August – 27th

Time: TBD

Location: TBD

Presentation: TBD

MLDXCC Treasurer - K6SZQ

MLDXCC Treasurer's Report - June 2022

5/31/2022 Opening Balance		\$2,797.32
Income		\$30.00
2022 Dues - Paypal	\$30.00	
2022 Dues - Checking		
2021 Dues - Checking		
Expenses		\$200.00
ARRL Club Insurance	\$200.00	
6/30/2022 Ending Balance		\$2,627.32

From the Secretary – W6BRY

Mother Lode DX/Contest Club
General Meeting Minutes
July 23rd, 2022
Los Hermanos Restaurant, Sutter Hill, CA

Meeting was called to order at 12:30PM by Greg Glenn NR6Q. Approximately 14 members in attendance.

Treasurers report from Sue K6SZQ: Beginning balance of \$2,797.32 with \$\$30 dues paid to

73, Greg Glenn, NR6Q

ARRL. Current balance is \$2,627.32. Steve Allred NC6R moved to accept the treasurer's report as read. Norm N6JV seconded the motion. It passed unanimously.

Club President Greg Glenn NR6Q stated that "DUES ARE DUE" so we all need to make sure we are paid on dues for the year.

Old Business:

Greg stated the plan to have Tamitha Skov come do a presentation for MLDXCC & NCCC on Solar events is on hold since NCCC is not meeting in person at this time.

New Business: None

Announcements:

- ATNO - NC6R got "the Monk" and Monaco in the log. WE6Z got Monaco as well.
 - N6JV stated that 6M has been open to Finland and Sweden.
 - W6BRY mentioned the Reverse Beacon Network has a new look and new features.
 - NC6R reminded everyone to participate in the marathon.
 - There was a question about logging software (sorry didn't catch the call).
 - NC6R asked how many stations worked the 13 colonies Special Event Stations & Field Day.
 - Some of the active DX coming up this month: St. Kitts V47JA, Nicaragua YN (NN3RP), LU4ZS on Seymour Island, C6ADX in the Bahamas, ZF2RM from Cayman Brac, K7K IOTA on Kiska Island, Norm Wilson has earned the Fred Fish Memorial Award from the ARRL for making 2-way contact with all 488 grid squares on 50MHz. Norm is #33 to earn this award. Well done Norm!!
- W6RNO gave a very nice presentation on the Chelegance JNCRadio VNA 3G Portable Network Analyzer which is available from DX Engineering. Doug WE6Z made a motion to adjourn the meeting. Steve NC6R seconded the motion. The meeting was adjourned.

General Meeting Minutes
Brian Mathews, W6BRY

CLUB Dues

2022 dues are due!

The Dues period runs from Jan 1 to Dec 31. Dues are \$20.00 individual, \$30.00 family

PayPal – Send to: motherlodeclub@gmail.com.
Use the Friends and Family option.

Cash or Check - Given to a club officer at a meeting. Or mail to the Treasurer - Sue Allred
K6SZQ, 17610 Red Mule Rd. Fiddletown, CA 95629

Club Log Standings

Overall

1	N6JV	Norm Wilson	217
2	W1SRD	Steve Dyer	215
3	NK7I	Rick Bates	205

CW

1	K6YK	John Lee	138
2	N6JV	Norm Wilson	127
3	W1SRD	Steve Dyer	109

Phone

1	NC6R	Steve Allred	112
2	W1SRD	Steve Dyer	107
3	K6YK	John Lee	100

Data

1	N6JV	Norm Wilson	192
2	NK7I	Rick Bates	192
3	W6DR	David Ritchie	191

Club Log Standings are based on worked entities during the calendar year.

Member Reports

WE6Z's Current project: **T3FD**

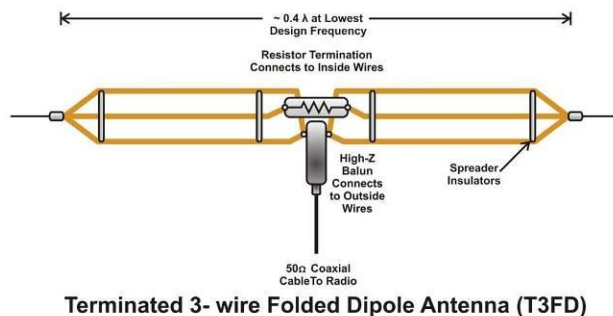
My current project is building a T3FD antenna.
(Terminated 3 wire folded dipole)

It should cover 2.5-30 MHz with a decent SWR. It will be 185 feet long. The termination resistor is made from four Globar 600 ohm non-inductive resistors in series/parallel to make 600 ohms. It is 24" long with 1100 watts of dissipation. This is so that I can run 1500 watts into the antenna if needed and not burn up the resistor.

I plan to use it on Civil Air Patrol frequencies, ALE, and ham radio frequencies.

I rebuilt a military balun and re-wound it to make it a 9:1 balun. If that doesn't work, I'll switch it out for a 12:1 balun.

The antenna will be fed with 600 ohm ladder line. This type of antenna trades efficiency for broadbandness. Its primary use will be ALE in the 2-24 Mhz range.





Doug WE6Z

ATNO: 3A/PB8DX - 14.084 Monaco
 Long path
 Got him in the log 😊
 ATNO: 7Q5RU – 14.074 - Malawi
 Doug WE6Z

I was able to work Monaco (3A/F6EXV) on 15 meters long path for an ATNO. I had heard them several times before in prior years but hadn't been able to get through. This time success!

73,
 Steve / NC6R

3A/F6EXB CW 18.072 ish 16:50 on 7-11-22
 The solar flares are raising havoc, but he's there working slowly through the pile up, not over loud in the valleys but still copyable up here, using all the features of the K4.

Good luck, you'll need it with the present conditions (should be BLASTING in now),
 Rick NK7I



The Last Drop of Magic in the Magic Band's Tank

Over 20 years ago, I got the idea that I would try 6-meters. My IC-706 had 6-meters and I had never been on that band. I put up a small dipole on the side of the tower and started listening. I heard K6YK on SSB and gave him a call. John asked me what grid I was in and my response was "what's a grid?". I built better antennas and had good luck working states and some DX. I applied for the VUCC for 6-meters award in 2001 and kept adding to my score. In 2008, the ARRL established the Fred Fish Memorial Award honoring W5FF, who in 1995, confirmed all 488 grids in the contiguous US using 6-meters. Living on the west coast is a real disadvantage when working grids on 6-meters. In the Midwest, everyone is in range of e-skip or meteor scatter. Going into this year's e-skip season, a few of us out here were close. I needed 2 grids and KR7O in Madera needed one. In Arizona, AA7A completed early in June followed by KR7O. The last grid I needed was EL84 which covers the Dry Tortugas National Park off the end of the Florida Keys. WL7T/P went out in a sail boat and stayed a few days. Conditions out here were very poor. I think it was the last night of the operation and on a dead band, he decoded on FT8. I was ready and he responded to my first call. When the contact was done, he disappeared and was never seen again. After I got off the floor, I prepared the applications for FFMA and VUCC. That evening the QSO was confirmed on LOTW so the applications were sent to the ARRL using e-mail. The next morning, I received an e-mail from the ARRL congratulating me for completing FFMA and issuing me award #33. I have chased EL84 stations at least 4 times. I have only heard a station operating from there once for 1 minute in over 20 years.

This was a marathon and I will always remember the work that went into making some of the QSOs. I made skeds for 4 years with a station on Cape Cod before we made it. Working CM79 required trying to hear a battery powered rig in a forest because the State of California wouldn't allow motor vehicles and they had to pack in. It was interesting working meteor scatter with a rolling sail boat anchored off Santa Rosa Island in the Channel Islands for CM93 because if they went ashore, the Navy would shoot at them. All fun.

N6JV

Some Reminiscences of Ken Anderson, K6TA

Like many who knew him, I was saddened to hear just a few days ago that Ken Anderson, K6TA, had become a Silent Key. It was not a surprise, as Ken's health had been failing for years due to a progressive disease, the ravages of which he endured with uncommon grace and resolve.

I'm hoping that we'll have additional thoughts from more of his friends and DX and Contesting buddies in a future edition of the JUG, but I did want to express some personal reminiscences based upon my acquaintanceship with him both in Aruba and in California.

First, in Aruba Ken(K6TA) and Kay (K6KO) were regular guest ops at the P40L/P49Y station that John Fore, W6LD, and I bought from Carl Cook, AI6V, P40V, in 2003. They would routinely come

to the island in December to operate the ARRL 160-meter and 10-meter contests. Generally, Ken would operate the 160 as P40TA, and either both of them or just Kay on SSB would operate the 10-meter contest as P40K. They always did well in these contests; in fact, Ken won the world on 160 in 2005

and 2008 (not an easy task from the Caribbean), and they were generally in the top five in their category on 10 meters, which is even harder from there.

They had operated when the station was owned by Carl, and our website (www.arubaqth.com) shows them active every year from 2002 through 2008 except for 2004. Eventually Ken's health just wouldn't support all the BIC time necessary to fly to the Island and do a serious 160 operation, so they reluctantly had QRT from Aruba.

Below are pictures of each of them, operating from our then two-radio 756 Pro2 station. (Note that in the picture of Kay, the SixPak is appropriately set to 10 meters).



Here's a poem about Ken and Kay on Aruba

The Ballad of P40TA and P40K

To Aruba came Ken and Kay,

Papa Forties TA and K.

While Ken pounded brass

Kay played sideband lass,

We'll miss you: K-6-T-A.

My other primary memory of Ken is the wonderful hospitality that Ken and Kay showed me for a number of years as I operated CQP from their station in Pine Grove, in Amador County. They were sparkplugs of the very active and committed club, the Mother Lode DX and Contest Club, based in Jackson, which I had joined when I was President of NCCC in 1997-98. They have a lovely house on a ridgetop with a great DX outlook, and I had often noted from Aruba how they would invariably come in right over the top of a pileup of West Coast callers.

They don't have an N6RO-style superstation with tall towers and stacked yagis; the advantage of their station was the geographic and mainly the topographic location on the ridgetop with clear takeoffs in useful directions. My recollection is the station has two medium (i.e., 50-

footish) towers and a flamethrower 6 element 10m yagi mounted just a few feet above the roof. It always played well in CQP for me and was a pleasure to pilot, particularly with Kay attentively bringing in small edibles during the day. We typically didn't communicate much during the operating time, but I do recall going into the living room one year and letting out a whoop after just working a VY1 for the 58th mult on 80 meters.

I operated CQP from their station in 2009 and 2011-15. Each operation was a treat for me, and would typically end up with my score being about 15% higher than I could do from home (generally almost

– but not quite enough – to beat Rich Cutler, WC6H). I would drive up on Friday afternoon and get the station set up to my taste before dinner. This would generally involve quite a bit of recabling for my own idiosyncratic way of doing SO2R with their K3s/Alpha 87s (though I would generally bring one of each of my own as well), and they were extremely tolerant of my wrecking the shack that must have taken them days to restore properly after I left.

Kay always made a delicious dinner Friday night (I remember her coq au vin with particular gustatory affection), and we would spend the evening chatting and catching up on our respective recent histories. There was a separate guest room across a little breezeway, and it was always cool at night in early October in the Foothills. That outbuilding also held Kay's canning supplies, and she would always send me home with several jars of her First-Place-Amador-County-Fair jams and preserves.

I remember one year with particular appreciation. As I entered the house upon arrival, Ken asked if I had worked the Glorioso station yet. There was an expedition underway to that island, but it was very hard to work from the West Coast as you might expect, and I had not yet been able to work them from home. I desperately wanted to, as it was the very last country I needed to have worked all the current DXCC list. Fortunately, Ken had FT5GA teed up on 20m SSB with a strong signal, and I got them on the first call to complete my Honor Roll list. What a privilege.

My comments haven't even touched on Ken's many contributions to DXing and Contesting. I'm hopeful that others will provide personal insights to round out our appreciation of a fellow club member who added greatly to our appreciation of our hobby. RIP, our friend.

Andy, AE6Y

In Memory of Kenneth Owen Anderson

https://www.ledger.news/obituaries/in-memory-kenneth-owen-anderson/article_ca5e7728-016a-11ed-8923-b7fe6ded9823.html



Field Day 2022

Due to some family obligations, I was not able to host or attend a large Field Day event. However, I was still able to get on the air Saturday evening and Sunday morning. Conditions were a little rough, but I still had a great time. I operated 1D from my home QTH using my K3 at 100 watts and SteppIR DB18E. I switched back and forth between phone, digital, and CW depending on the propagation. I had a great run on 40 meter phone on Saturday evening.

It was a lot of fun!

2022 Field Day Entry - Confirmation

Summary

Entry received at: 2022-06-26 18:33:21 UTC

Submitted by: **Doug Phillips, WE6Z** E-mail:

Call Used: **W3WRC** GOTA Station Call: **(NONE)** ARRL/RAC Section: **SV**

Participants: **1** Club/Group Name: **THE WORLD RADIO CLUB** Class: **1D**

Power Source(s): **Commercial**

Power Multiplier: **2X**

Preliminary Total Score: 1,920

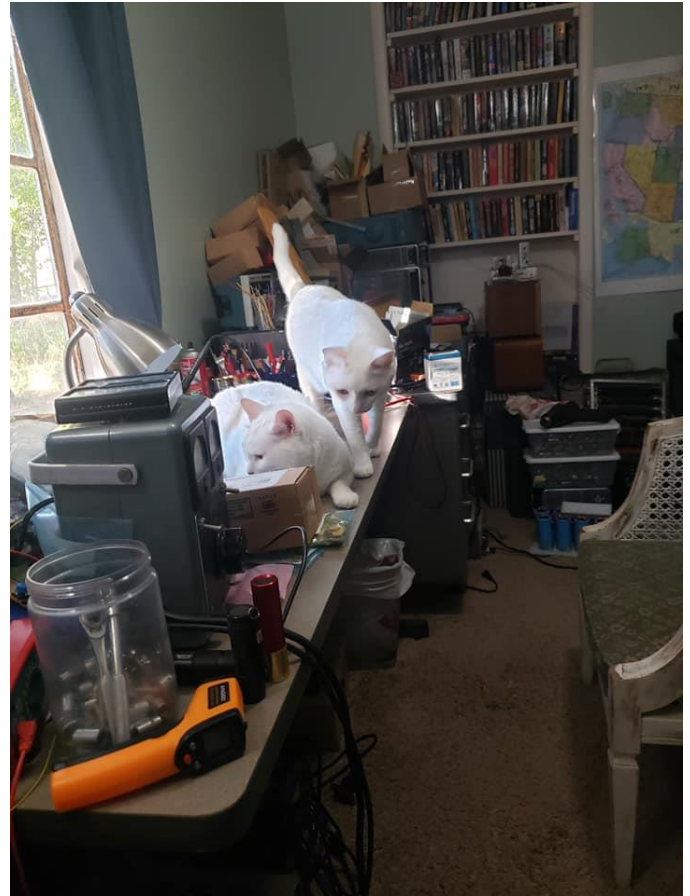
Bonus Points:

Bonus	Points	Status
Entry submitted via web	50	
Total bonus points	50	

Score Summary - Cabrillo log/dupe sheet file: W3WRC fd22.log

	CW	Digital	Phone	Total
Total QSOs	92	163	425	
Total Points	184	326	425	935

Claimed Score = (QSO points x power mult) = **1,870**



Doug WE6Z

I just started up my Honda generator for FD. I put in "Star Tron" fuel treatment (available at Tractor Supply). It seems to have no expiration time. I have gotten away with leaving the gas in the generator for several years, but it starts right up (after about 20 pulls on the rope, hi). Then it starts on one pull thereafter. Other than FD, I might start it up every 3 to 6 months.

This in contrast to "wisdom" about it being necessary for storing the generator to drain all the gas out of the fuel tank and the drain the carburetor bowl. I've never done any of that.

My theory is that the Star Tron binds up with or otherwise deactivates the ethanol permanently. Thereafter, I basically have unleaded ("white") gas and that gas never used to go bad back in the day. Been there, done that.

Works for me; YMMV. Good luck in FD; I'll be class E. SV section.

Rick N6RK

State & Province QSO Party Calendar

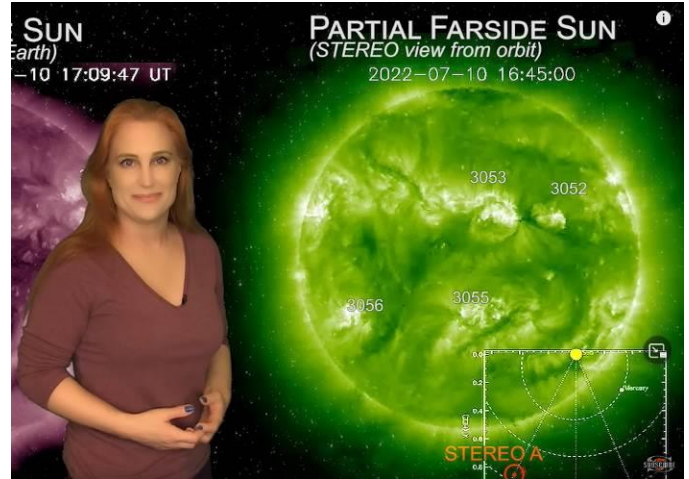
<https://qsoparty.eqth.net/index.html>

73,

Steve / NC6R

In the News

Lots of solar activity recently. There was an M class flare on July 8th causing some great conditions on 10 meters. With all of the active regions currently facing us, there is a good chance of more solar flares and storms this month.



<https://www.youtube.com/c/TamithaSkov>

Solar Storm Conditions and Aurora 5-Day Outlook

		Official NOAA 3-day				
		July 11 Mon	July 12 Tue	July 13 Wed	July 14 Thu	July 15 Fri
HIGH LATITUDES 60° N 60° S	EXPECTED	Unsettled Aurora Possible	Minor Storm Aurora Possible	Major Storm Aurora Possible	Active Aurora Possible	Unsettled Aurora Possible
	MAXIMUM	35% Major Storm	60% Major Storm	70% Major Storm	25% Minor Storm	25% Active
MID LATITUDES 30° N 30° S	EXPECTED	Unsettled Aurora Possible	Active Aurora Possible	Active Aurora Possible	Unsettled Aurora Possible	Unsettled
	MINIMUM	10% Minor	20% Minor	30% Minor	20% Active	10% Active

<https://www.youtube.com/watch?v=zd2MQhPmMwM>

ARRL Contesting Certificates

If you have participated in ARRL Contests by submitting your log, enter your call sign and see your available certificates. You can view and download them. The certificates show where you placed in the contest.

<http://contests.arrl.org/certificates.php>

Awards Checkers ARRL

Rick Samoian, W6SR

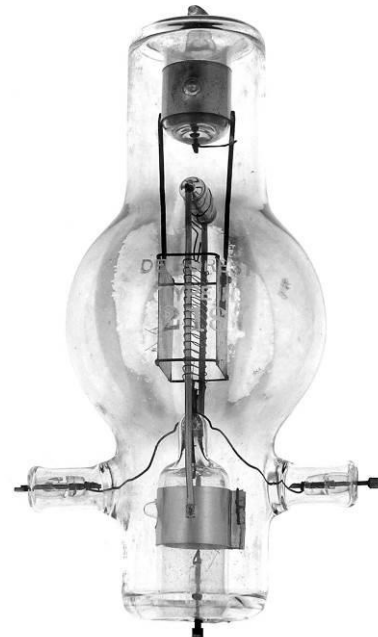
Tube of the Month

de Forest TYPE H

The de Forest company had started making high power transmitting tubes around the end of WWI. By 1926 they introduced a new line of transmitting tubes for commercial and amateur use. The first of these tubes was advertised in January of 1926 and was the [Type H](#). The Type H was rated at 150 watts input and could be run on up to 3000 volts at 50 mA. The filament was rated as 10 volts at 2.35 amps. The unusual shape reflects the attempt to keep all the leads separated to allow the tube to operate at higher frequency. De Forest claimed that the Type H could operate up to 300 Mhz. I would be very interested in seeing the instrumentation they used to make that claim. They must have been using a Lecher line that was commonly used in those years.

The flat plates and their lateral supports make a box that encloses the grid. The element spacing is wide to allow the use of very high voltage and to minimize the output capacity for high frequency. The glass construction is good but fragile. Without a base, the mounting was left to the operator. These tubes are not very common and I have seen other similar tubes that were larger. This tube is just under 6

inches tall. The filament attachments points are small square plates that I assume were intended to be used with alligator clips. De Forest charged \$18 for the Type H and if you needed a high voltage rectifier, they removed the grid and filament side arms from the H and sold you the Type HR rectifier for \$16.



Visit the museum at N6JV.com

Norm N6JV

MLDXCC Focus Contests

The following lists all contests in which MLDXCC would appreciate your efforts.

ARRL SS CW/PH
ARRL DX Phone*
ARRL DX CW*

ARRL 10M*
ARRL 160M*
California QSO Party

*Proposed and approved at the November 12, 2016 MLDXCC general meeting.

Northern California Contest Club (NCCC) announced their focus contests at their August 2018 meeting. This list can be found in the Aug 2018 NCCC newsletter.

ARRL RTTY RU
CQ WPX RTTY
CQ WPX SSB
CQ WPX CW

The NOAA Solar Update

Click the link below to display the latest NOAA solar predictions.

<http://www.swpc.noaa.gov/products/weekly-highlights-and-27-day-forecast>

UPCOMING DX and DXpeditions

Click the link below to display upcoming DXpeditions.

<http://www.ng3k.com/Misc/adxo.html>

MLDXCC Reflector

The MLDXCC reflector is maintained at groups.io. Visit <https://groups.io/g/mldxcc>

We also maintain a spotting reflector at <https://groups.io/g/MLDXCC-Spots>

We are also on Facebook!
<https://www.facebook.com>

UPCOMING Events

For the latest contest info, click on the following link:

<http://www.contestcalendar.com/contestcal.html>

Classifieds

Members are requested to review their classified ads each month for accuracy and to resubmit their ads or confirm their desire to keep it running in the next issue.

For Sale - Harvey Wells Senior TBS-50C Transmitter and Power Supply - \$249.00

My old 1950's TBS-50C is in very good physical and working condition. It puts out 40 watts at 3885 KHz (my last 75-meter crystal). The transmitter works the bands available at that time from 80 to 2 meters.

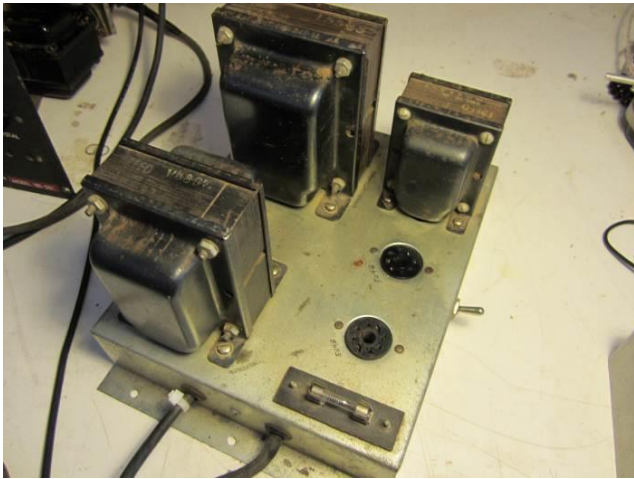
Because the transmitter multiplies the 807 final to 6 and 2 meters, not much more than 1 to 2 watts output is produced. The AM modulator uses two 6L6's and a carbon mike. A spare 807 is included. Modifications are out on the internet to convert it to 160 meters.

The matching Harvey Wells power supply has been restored using diodes versus the 5U4G tubes and has been recapped.

A copy of the manual is included.

I have more pictures available. Just request them at n6ghz@arrl.net.

73's Bill – N6GHZ



I have a 2 section crank up mast at 38 feet with an added 5 feet total 43 feet with tilt over mast base plate. 2 heavy duty wall brackets 1 45* 1 straight also guy wire arms.....I can be contacted at kg6svf@yahoo.com or 209.933.1109 for info & more pix. I'm in Stockton.....\$400
I've had a hexbeam & KT-34 on it
Dave Marson



Swapmeets

The Northern California Swap

Thursday evenings at 8 PM local on the N6ICW repeater system 147.195 +123

Join Armand WB2ZEI and the group to buy, sell, or trade amateur radio related gear. Check-ins and visitors welcome.

Need QSL cards, business cards, club banners?

Contact Vina K6VNA vina@sign-tek.com

2022 Meeting Dates

January – none

Feb – none

March – 19th

Apr – 16th

May – 14th

June – 18th

July – 23rd

August – 27th

September – 17th

October – 22nd

November – 19th

Dec – TBD

Dates are arranged to accommodate major contest dates. Meeting dates are subject to change. MLDXCC traditionally holds a mid-year combined meeting with NCCC.

Area Clubs

Northern California Contest Club -

<https://www.nccc.cc>

Lodi Amateur Radio Club -

<http://www.lodiarc.org>

Stockton Delta Amateur Radio Club -

<http://www.w6sf.org>

Pizza Lovers 259 -

<https://www.pl259.org>

El Dorado Amateur Radio Club -

<http://edcarc.net>

Sierra Foothills Amateur Radio Club -

<http://www.w6ek.org>

Redwood Empire DX Association -

<http://www.redxa.com>

Calaveras Amateur Radio Society

<http://calaverasars.org/>

Tuolumne County Amateur Radio Electronics Society (TCARES)

<https://tcares.net/>

Please contact the editor to have your club listed here.

ARRL Pacific Division

Pacific Division Director

Kristen A. McIntyre K6WX

k6wx@arrl.org

Pacific Division Vice Director

Anthony Marcin W7XM

w7xm@arrl.org

East Bay Section Manager

Mike Patterson N6JGA

n6jga@arrl.org

Nevada Section Manager

John Bigley N7UR

n7ur@arrl.org

Pacific Section Manager

Joe Speroni, AH0A

ah0a@arrl.org

San Francisco Section Manager
Bill Hillendahl, KH6GJV
kh6gfv@arrl.org

Santa Clara Valley Section Manager
James Armstrong NV6W
nv6w@arrl.org

Sacramento Valley Section Manager
Dr. Carol Milazzo KP4MD
kp4md@arrl.org

San Joaquin Valley Section Manager
John Litz NZ6Q
john@litz.com

Officers of the MLDXCC

President, Greg Glenn, NR6Q
nr6q@arrl.net

Vice President, Rick Eversole, N6RNO
rick@eversoles.com

Director, Rich Cutler, WC6H
wc6h@yahoo.com

Director, Steve Dyer, W1SRD
w1srd@arrl.net

Director, Steve Allred, NC6R
sallred@volcano.net

Secretary, Bryan Mathews, W6BRY
hotelbroker@gmail.com

Treasurer, Sue Allred, K6SZQ
sueallred@volcano.net

Publicity Manager, Bob Hess, W1RH
w1rh@yahoo.com

Editor, Doug Philips, WE6Z
we6z@hotmail.com

Webmaster, Norm Wilson, N6JV
n6jv@n6jv.com

The MLDXCC Newsletter

Information may be reproduced provided credit is given to MLDXCC.